

Spohn Performance, Inc.

494 E Lincoln Ave Myerstown, PA 17067
1-888-365-6064 www.spohn.net

Part #C10-221 & C10-221-DEL – Pro-Touring Rear Lower Control Arms 2010+ Chevrolet Camaro & 2008+ Pontiac G8

USE OF THIS PRODUCT IS ACCEPTANCE OF SELLER'S DISCLAIMER OF WARRANTY!

By their very nature, competition components are constantly pushed to their limits. While our components are designed to withstand intense race conditions, it is impossible to control the quality of installation or the varying conditions in which they are used. It is for this reason that absolutely no warranty or guarantee is either written or implied. Neither the seller or the manufacturer will be liable for any loss, damage, or injury – direct or indirect – arising from the use of or inability to determine the use of any product. Before using, the user should determine the suitability of the product for its intended use, and the user shall assume all responsibility in connection therewith. Spohn Performance, Inc. makes no guarantee as to the legality for any specific class. Spohn Performance, Inc. makes no claims, nor does it intend its products to be used in street driven vehicles. Spohn Performance, Inc. reserves the right to make changes in design or add to or improve on their product without incurring any obligation to install the same on product previously manufactured. The Buyer agrees to indemnify and hold Spohn Performance, Inc. harmless from any claim, action or demand arising out of or incident to the Buyer's installation or use of products purchased from Spohn Performance, Inc.

INSTRUCTIONS

1. Begin by jacking up the rear of the car until the rear wheels are off the ground, support car with jack stands. Block the front wheels and then remove both rear wheels.
2. Using a piece of rope or a strap, secure the bottom of the shock to the rear cradle to maintain it's position when removing the lower shock mounting bolt (see Figure 1 picture).
3. Remove the lower shock mounting bolt that goes through the lower control arm.
4. Unbolt the rear sway bar end link's lower connection from the control arm mount.
5. The cradle mounting bolt of the control arm sets alignment and must be marked before loosening in order to maintain proper alignment settings during reassembly. Using a marker make a line on the cam bolt's washer and the rear cradle.
6. Remove both control arm mounting bolts from the spindle and the rear cradle and remove the stock control arm.
7. Install the Spohn control arm over the spindle bushing mount and in to the rear cradle mount and install both mounting bolts hand tight only. Install the shock to your desired mounting location (top hole=stock ride height, bottom hole=1.25" lowered ride height) and insert the mounting bolt hand tight.
8. Tighten the spindle mount bolt to 35 ft/lbs.
9. Install and rotate the cradle mount bolt until the line on the cam washer lines up with the line on the rear cradle made previously. Tighten to 85 ft/lbs.
10. Tighten the shock mount bolt to 59 ft/lbs.
11. Reinstall the bottom of the sway bar end link to the control arm's mount. Tighten to 35 ft/lbs.
12. Repeat steps 1-11 on the other side of the car.
13. Re-install the wheels and lower vehicle.
14. With the car in neutral roll the car front and back several times to settle the suspension back to it's proper ride height.
15. It is recommended that you get a rear end alignment at your earliest convenience.

Tech Note: It is impossible to grease the bushings when mounted on the car, as you will see this area of the control arm is inaccessible when installed inside of the cradle mount. We have incorporated a closed bushing mount that has been pre-filled with silicone grease. You have no need to lubricate the bushings, this has been done at the factory.

Fitment Notice

These rear lower controls arms must be used with 18" or larger rear rims for proper clearance and they will **NOT** clear any rim wider than 9".

Reference Photos

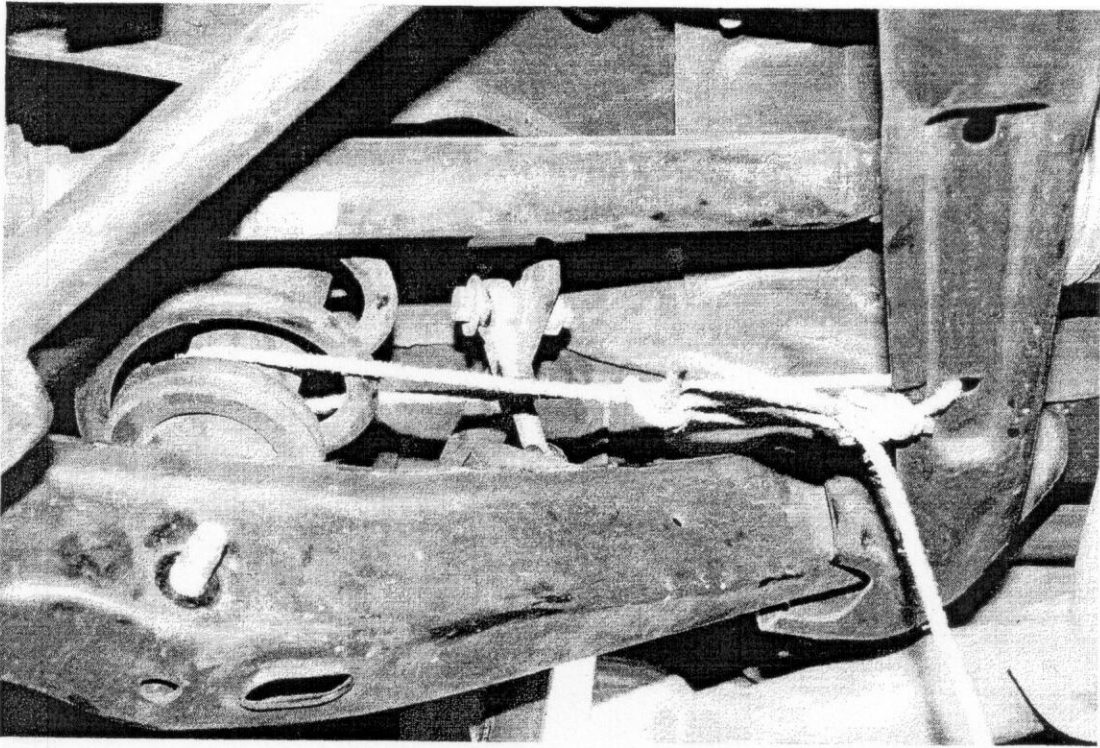
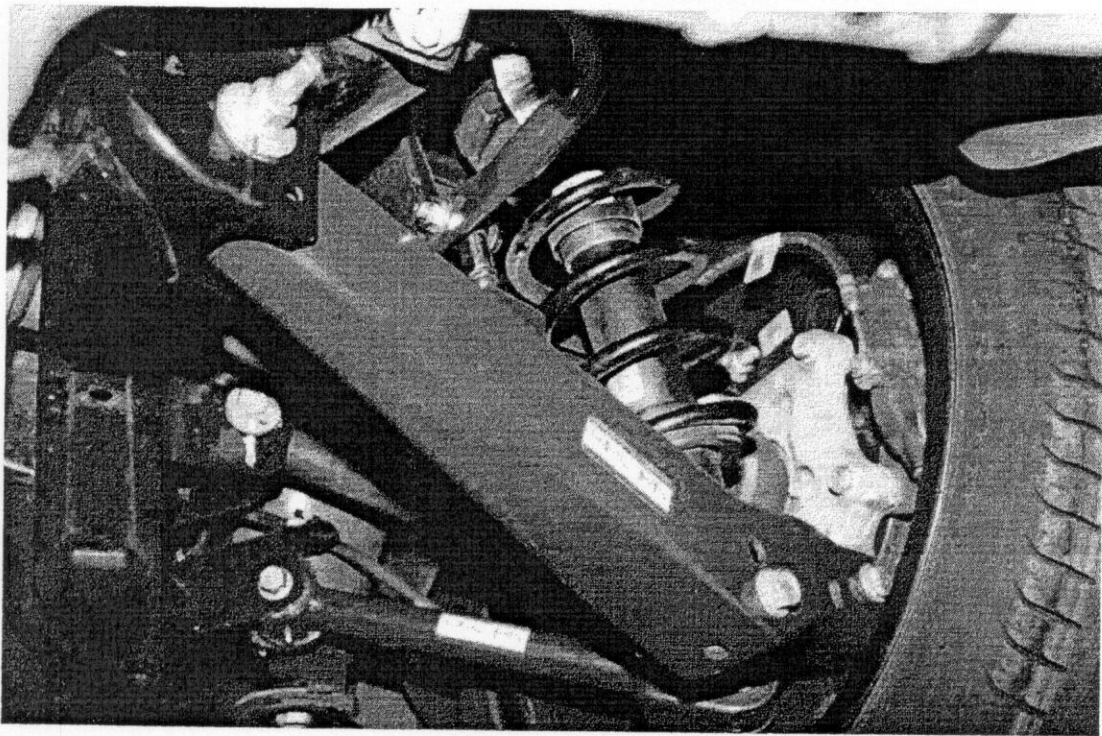
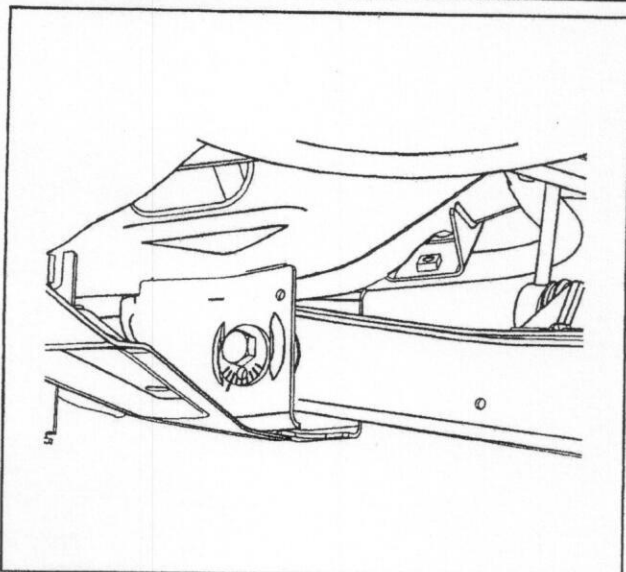


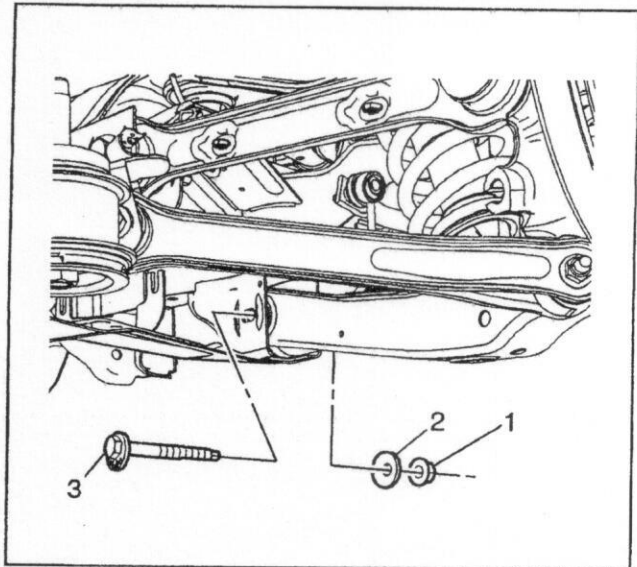
Figure 1



Final Assembly



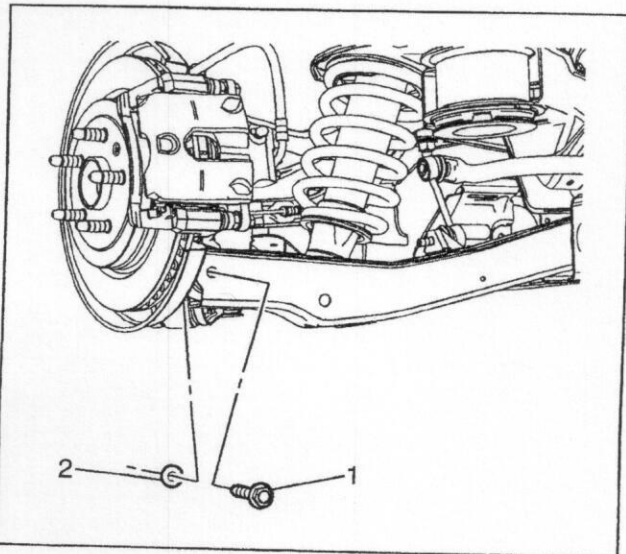
2193338



2193360

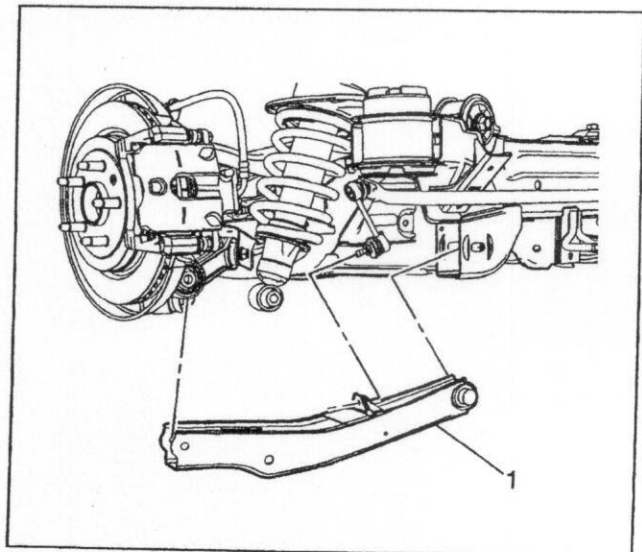
3. Mark the relationship of the adjuster to the frame before removing the adjuster bolt.
4. Support the rear knuckle with the hydraulic transmission jack.
5. Remove the stabilizer shaft link from the lower control arm. Refer to *Stabilizer Shaft Link Replacement* on page 16-25.
6. Remove the lower shock absorber bolt from the lower control arm. Refer to *Shock Absorber Replacement* on page 16-28.

8. Remove the rear lower control arm adjuster bolt (3), washer (2), and the nut (1).



2193359

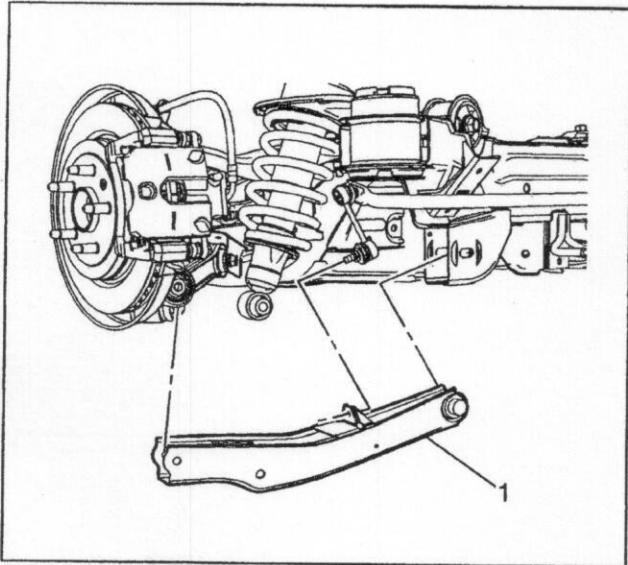
7. Remove the rear lower control arm bolt (1) and the washer (2).



2193373

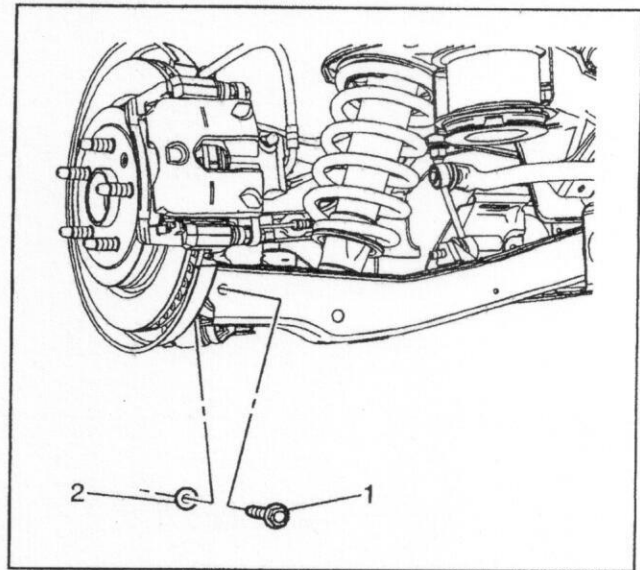
9. Remove the rear lower control arm (1).

Installation Procedure



2193373

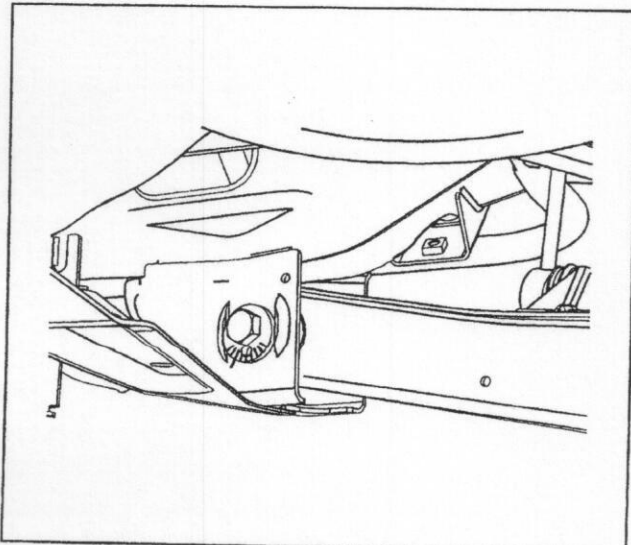
1. Position the rear lower control arm (1) in the rear cradle and knuckle.



2193359

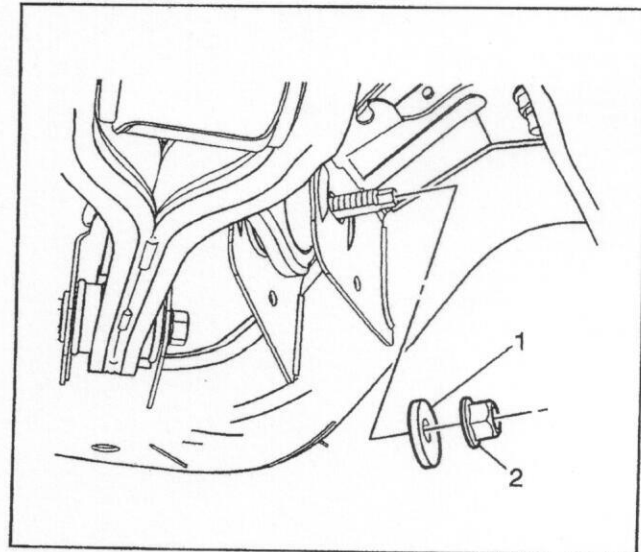
Caution: Refer to *Fastener Caution* on page 0-7.

3. Install the rear lower control arm bolt (1).
4. Install the rear lower control arm nut (2) and tighten to **40 N•m (30 lb ft) plus 120 degrees**.



2193338

2. Install the rear lower control arm adjuster bolt and align the reference marks.



2196891

5. Install the rear lower control arm adjuster washer (1) and nut (2), then tighten the nut (2) to **115 N•m (85 lb ft)**.
6. Install the lower shock absorber bolt to the lower control arm. Refer to *Shock Absorber Replacement* on page 16-28.
7. Install the tire and wheel assembly. Refer to *Tire and Wheel Removal and Installation* on page 16-66.
8. Lower the vehicle.
9. Check and adjust the rear wheel alignment, if needed. Refer to *Rear Camber Adjustment* on page 16-75.